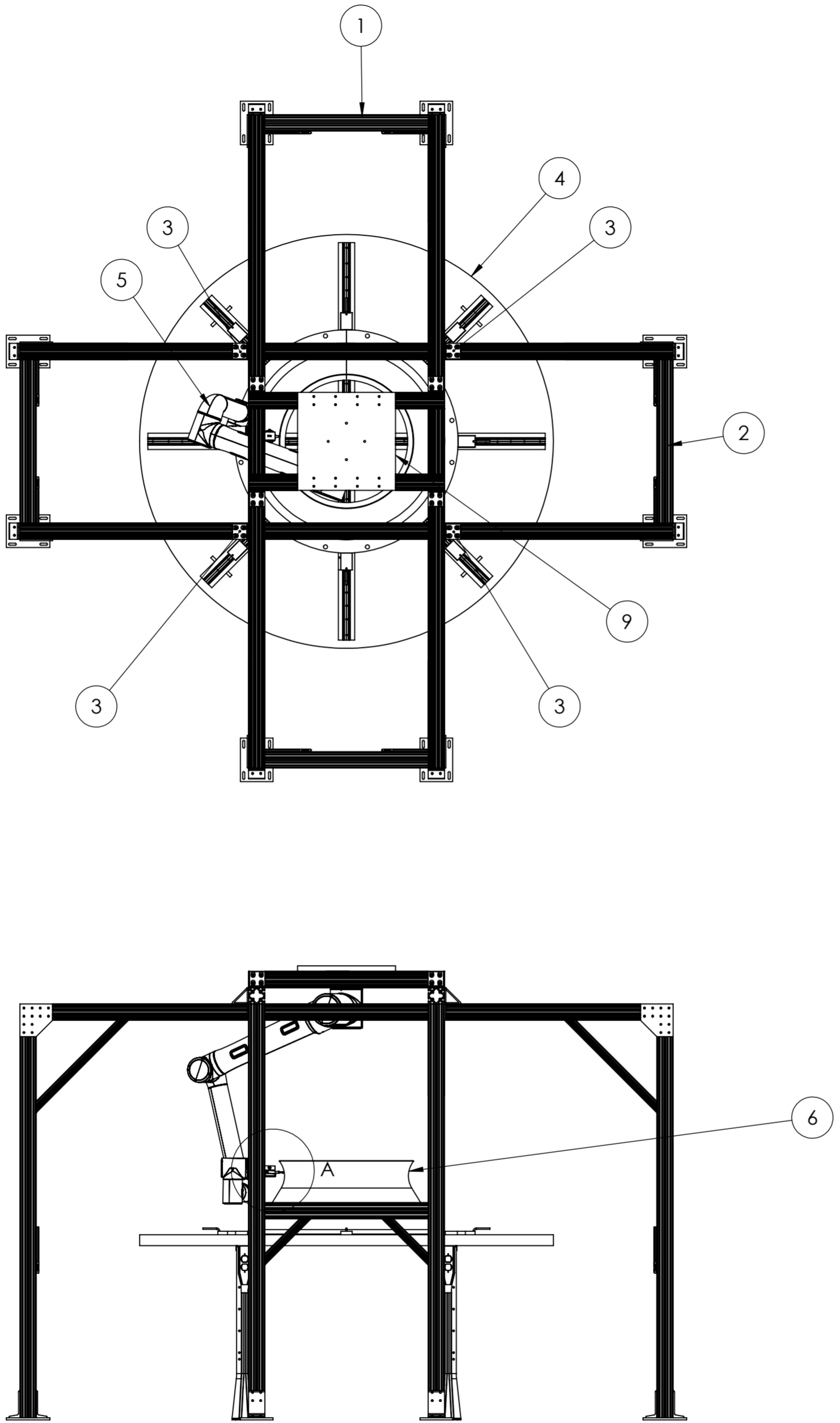
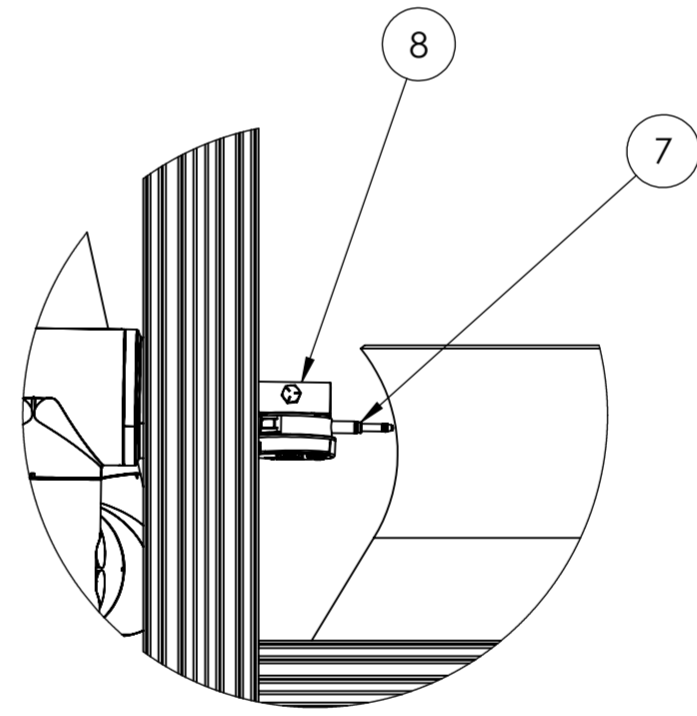


12 11 10 9 8 7 6 5 4 3 2 1

H
G
F
E
D
C
B
A



ITEM NO.	PART NUMBER	DESCRIPTION	QTY.
1	Main Mount		1
2	Support Mount		1
3	47065T906	Gusset Bracket	4
4	Table Assembly	Almunium 6061 T6	1
5	Fairino FR10		1
6	3-4-1526-52 S3650 Inlet Cone	5000 Series, Size 3650 Inlet Cone, Style 3, 10ga MS	1
7	Mitutoyo Dial Gauge		1
8	End Effector Mount	Almunium 6063 T6	1
9	Robotic Arm Mounting Plate	Almunium 6063 T6	1



DETAIL A
SCALE 1 : 5

UNLESS OTHERWISE SPECIFIED: DIMENSIONS ARE IN MILLIMETERS			FINISH:		DEBURR AND BREAK SHARP EDGES		DO NOT SCALE DRAWING		REVISION	
SURFACE FINISH:										
TOLERANCES:										
LINEAR:										
ANGULAR:										
DRAWN			NAME	SIGNATURE	DATE	TITLE:				
CHK'D										
APPV'D										
MFG										
Q.A										
			MATERIAL:		DWG. NO.		SCALE:1:20		SHEET 1 OF 1	
					FINAL DESIGN ASSEMBLY				A2	
			WEIGHT:							

8 7 6 5 4 3 2 1