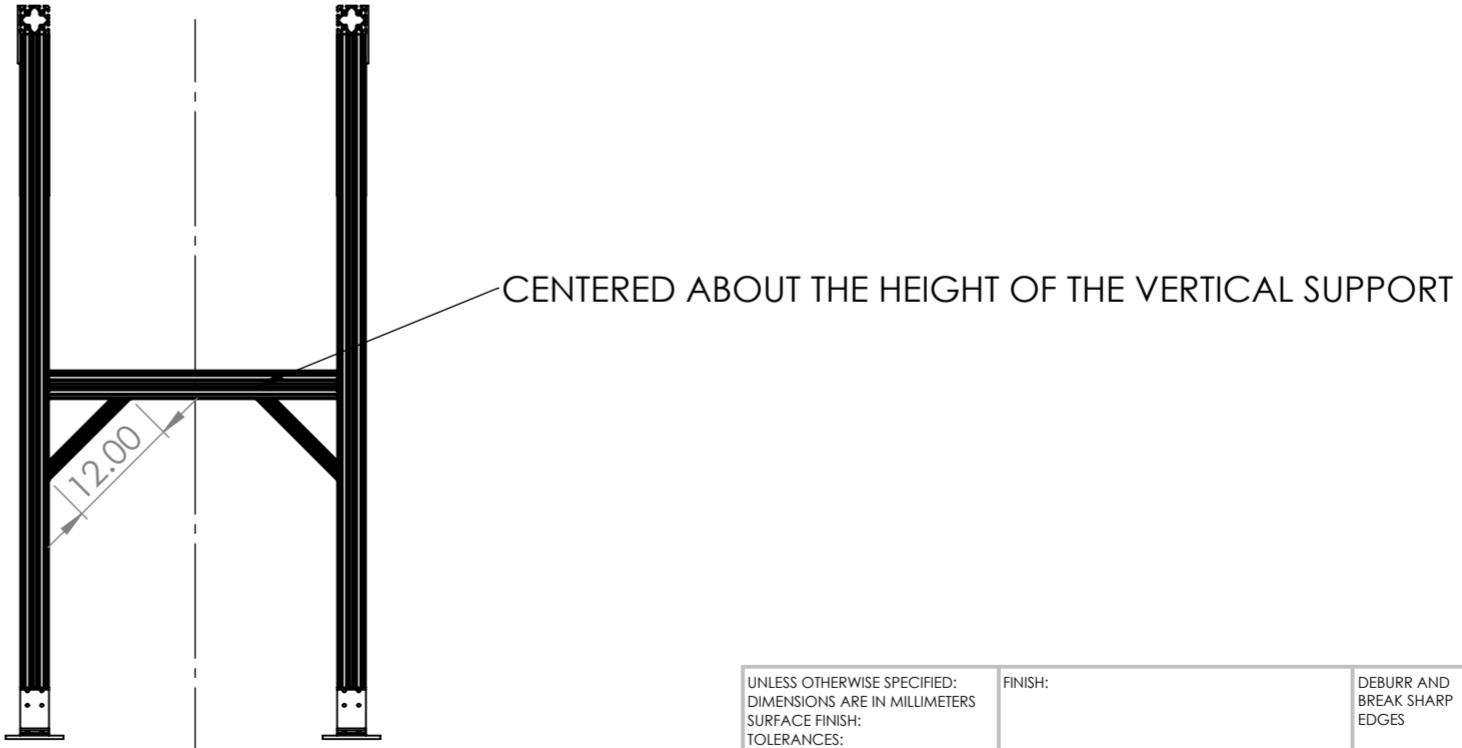
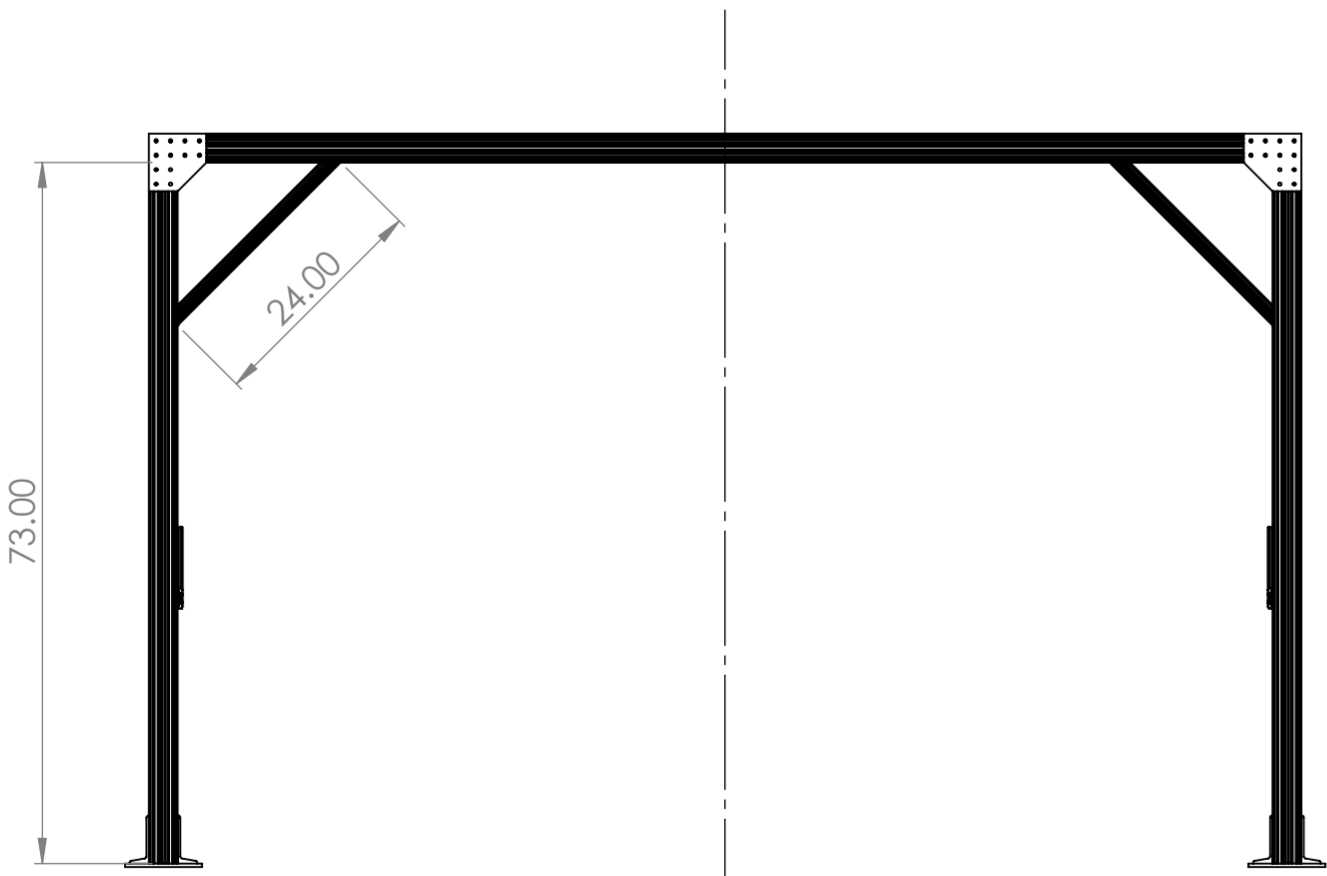
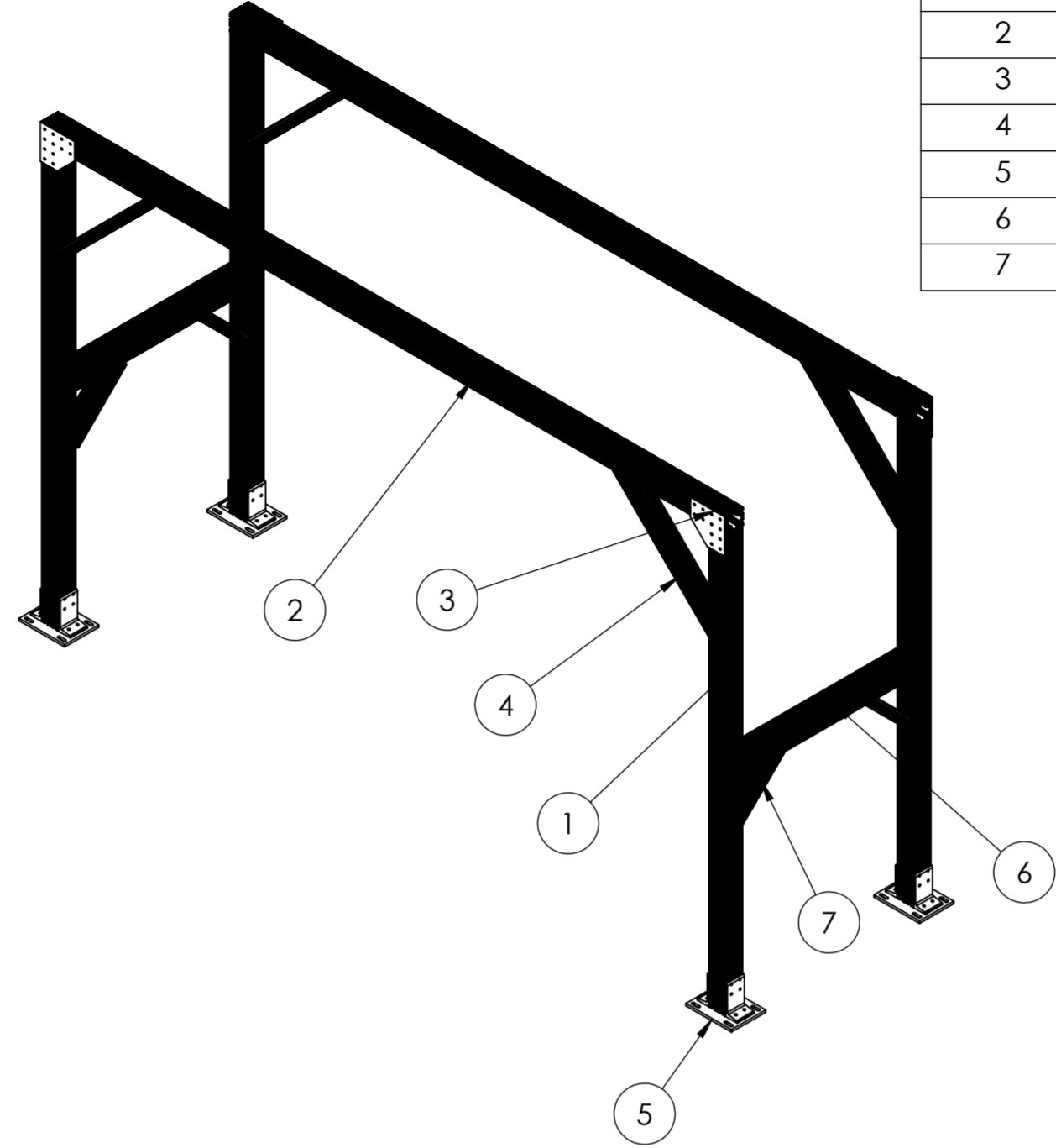
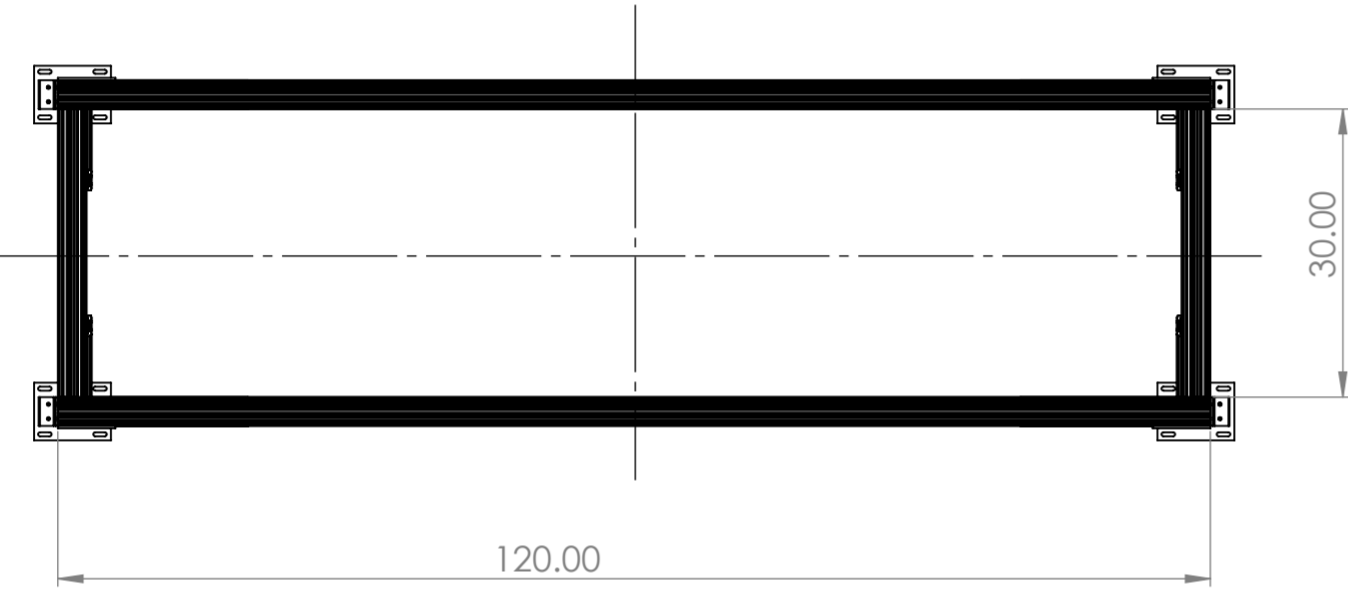


12 11 10 9 8 7 6 5 4 3 2 1

ITEM NO.	PART NUMBER	DESCRIPTION	QTY.
1	47065T806	T-Slotted Framing	4
2	47065T434	T-Slotted Framing	2
3	47065T277	T-Slotted Framing	4
4	47065T708	Diagonal Brace	4
5	3136N392	T-Slotted Framing	4
6	47065T806	T-Slotted Framing	2
7	47065T25	Diagonal Brace	4

H
G
F
E
D
C
B
A

H
G
F
E
D
C
B
A



UNLESS OTHERWISE SPECIFIED: DIMENSIONS ARE IN MILLIMETERS			FINISH:		DEBURR AND BREAK SHARP EDGES		DO NOT SCALE DRAWING		REVISION	
SURFACE FINISH:										
TOLERANCES:										
LINEAR:										
ANGULAR:										
DRAWN		NAME	SIGNATURE	DATE			TITLE:			
CHK'D										
APPV'D										
MFG										
Q.A										
			MATERIAL:				DWG NO.		SUPPORT MOUNT A2	
			WEIGHT:				SCALE:1:50		SHEET 1 OF 1	

8 7 6 5 4 3 2 1