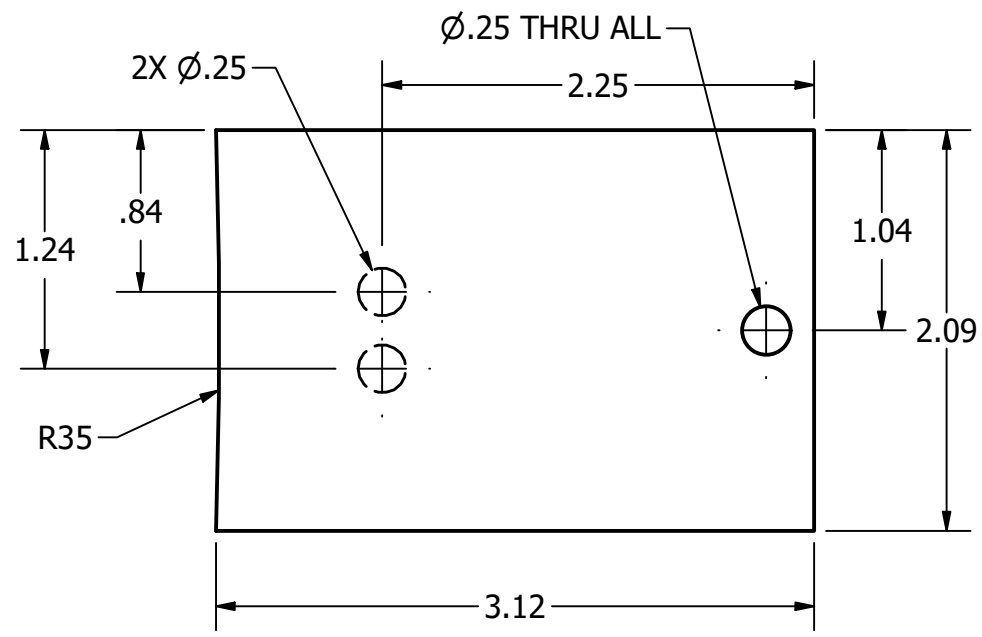
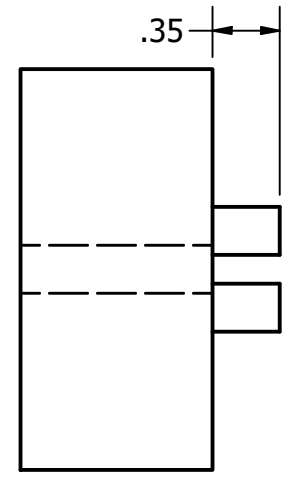


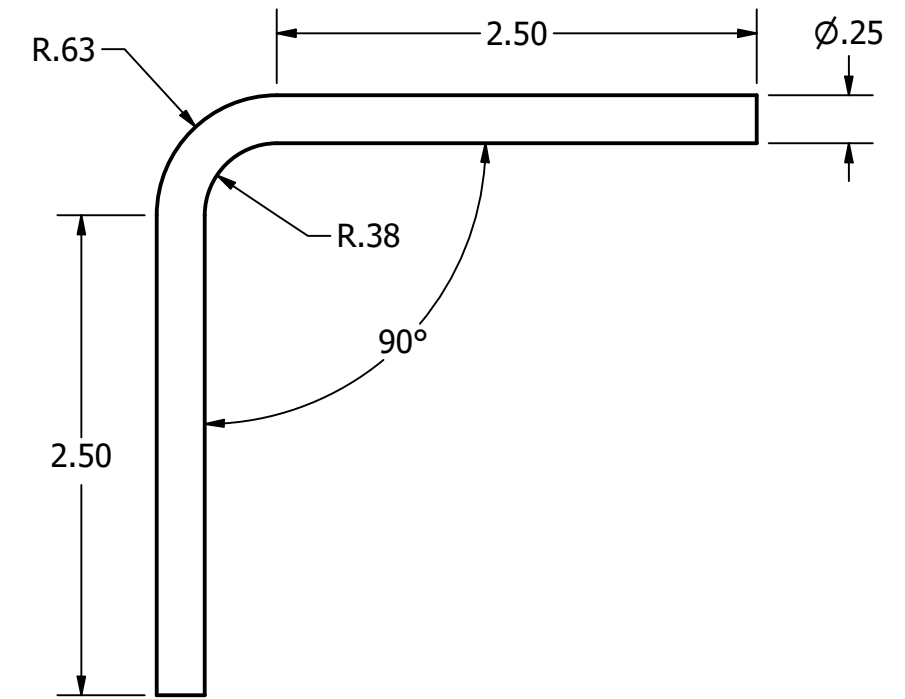
PARTS LIST			
ITEM	QTY	PART NUMBER	DESCRIPTION
1	4	SLIDER BAR - FAN WHEEL CONE	
2	4	SLIDER BAR - INLET CONE	
3	4	PROFILE BLOCK	ALUMINIUM 6061 T6
4	4	KEY	ALUMINIUM 6061 T6
5	8	SLIDING RACK	



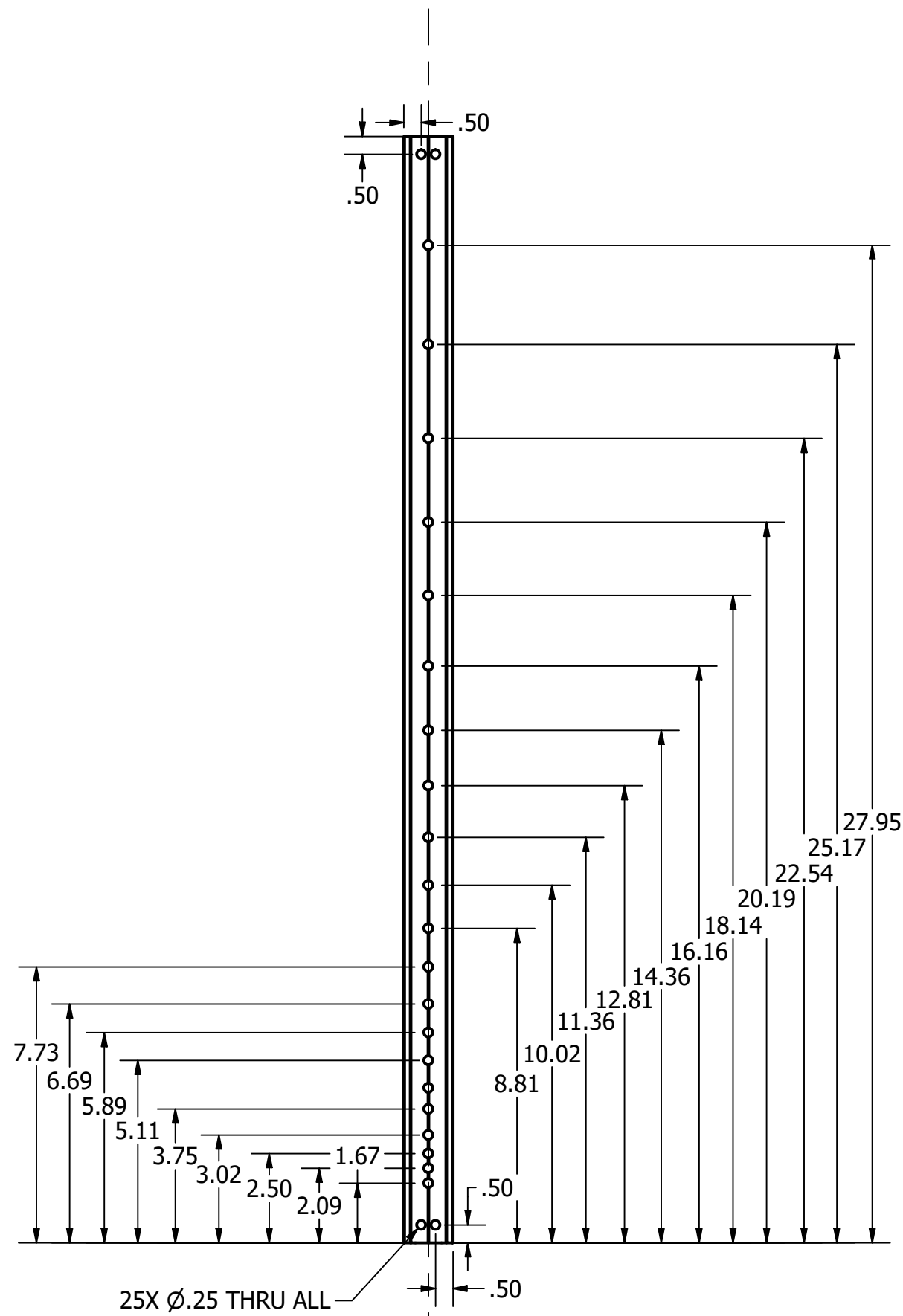
PLAN VIEW (3)  
SCALE 1 : 1



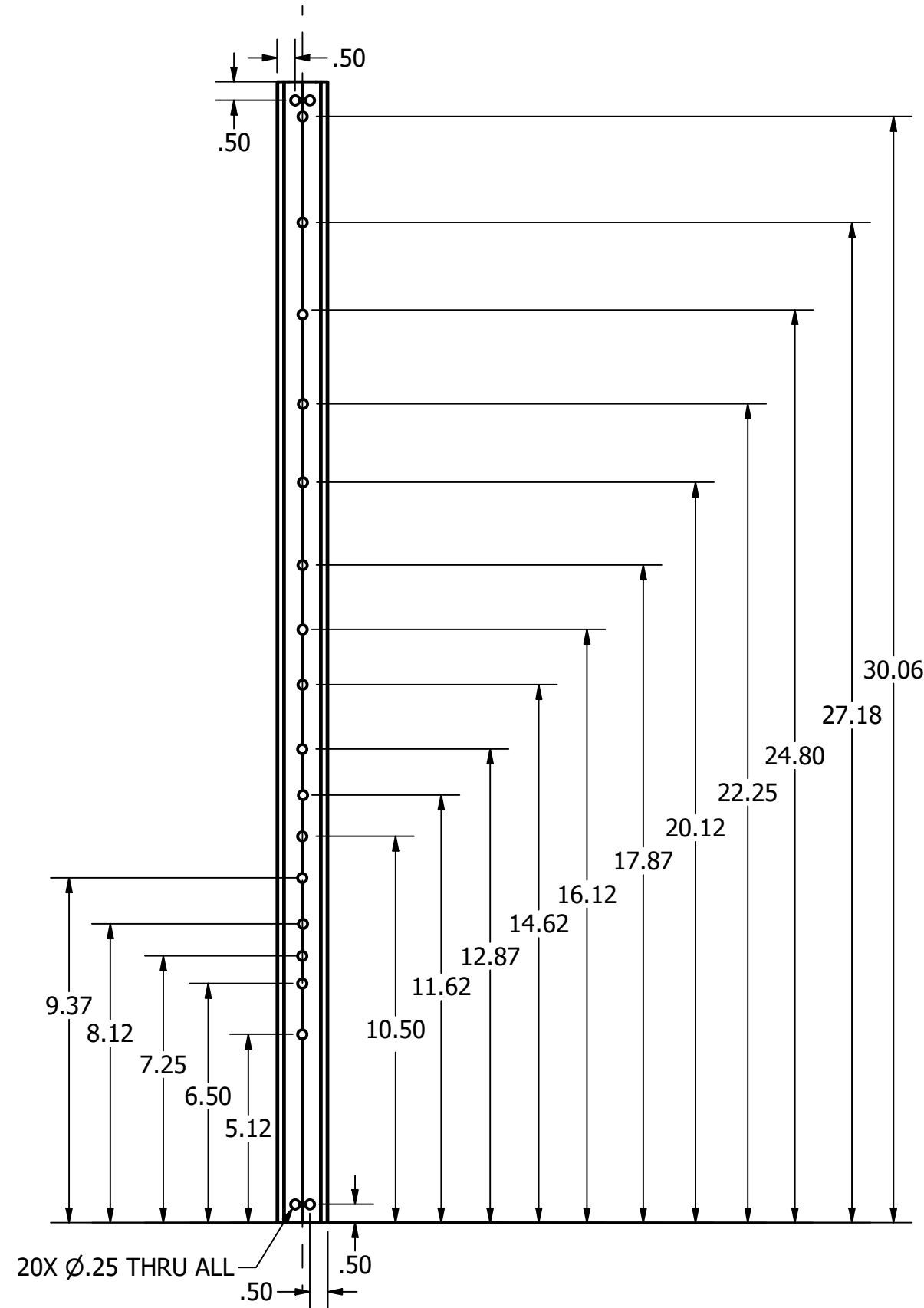
SIDE VIEW (3)  
SCALE 1 : 1



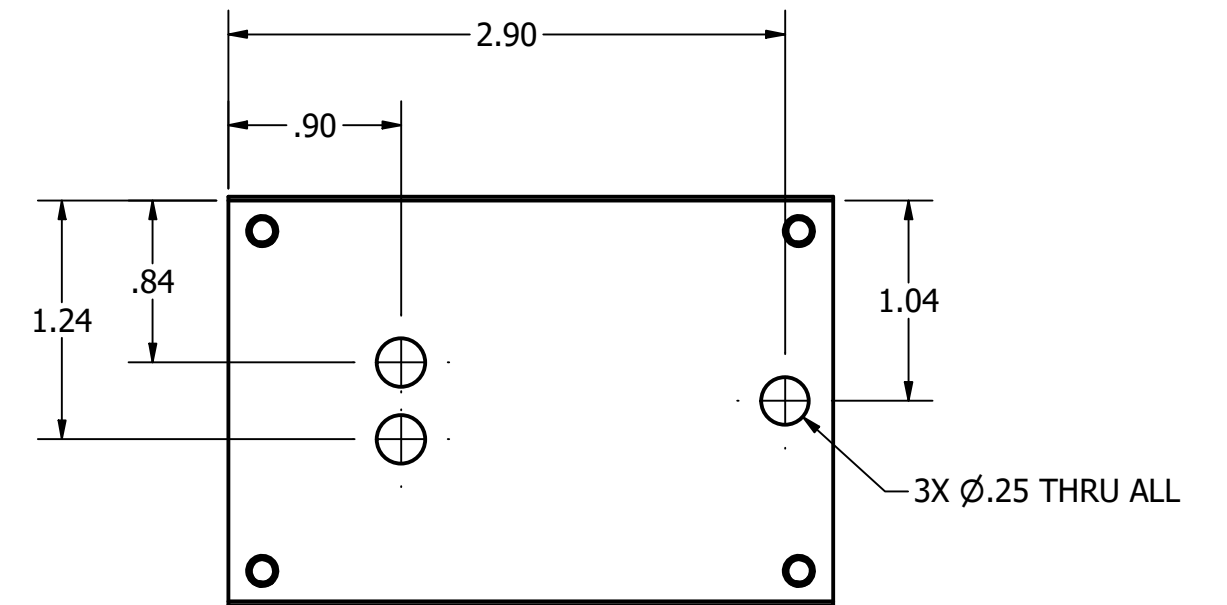
PLAN VIEW (4)  
SCALE 1 : 1



PLAN VIEW (1)  
SCALE 1 / 4



PLAN VIEW (2)  
SCALE 1 / 4



PLAN VIEW (5)  
SCALE 1

DRAWN Parmeet Gill	25/11/2025	UNIVERSITY OF MANITOBA	
CHECKED		TITLE	
QA		TABLE COMPONENTS	
MFG		SIZE C	DWG NO
APPROVED		SCALE 1 : 1	REV
		SHEET 1 OF 1	