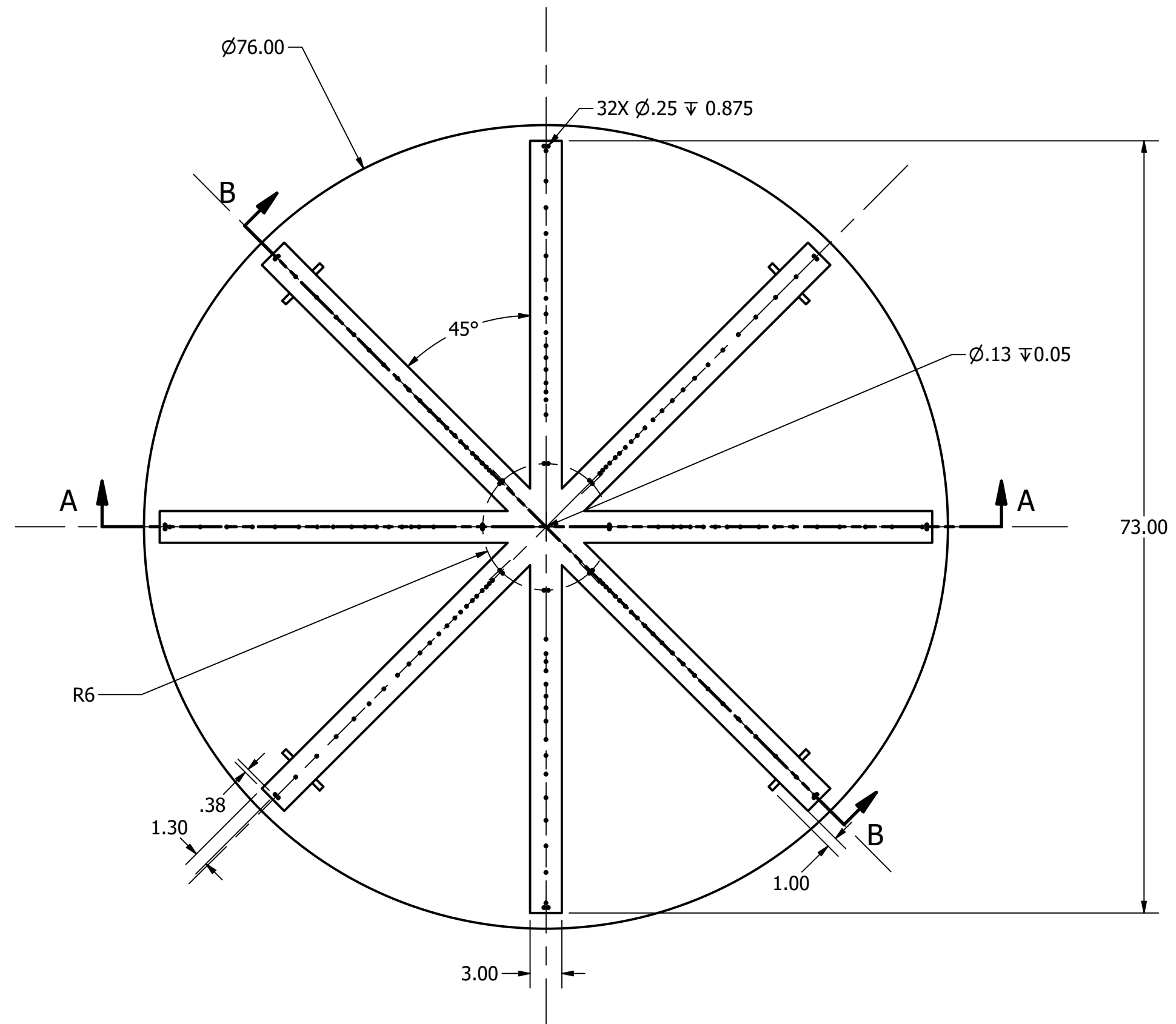
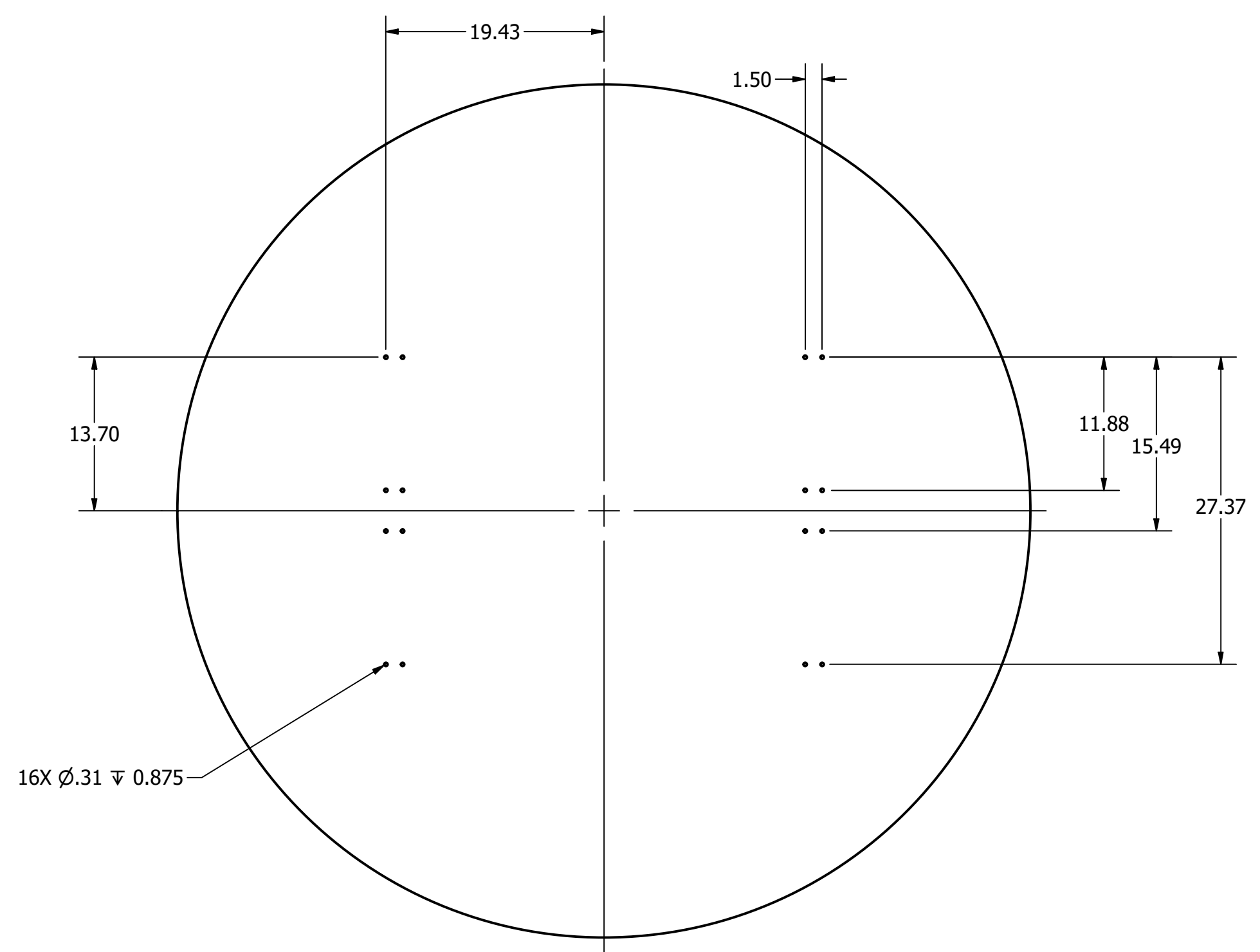


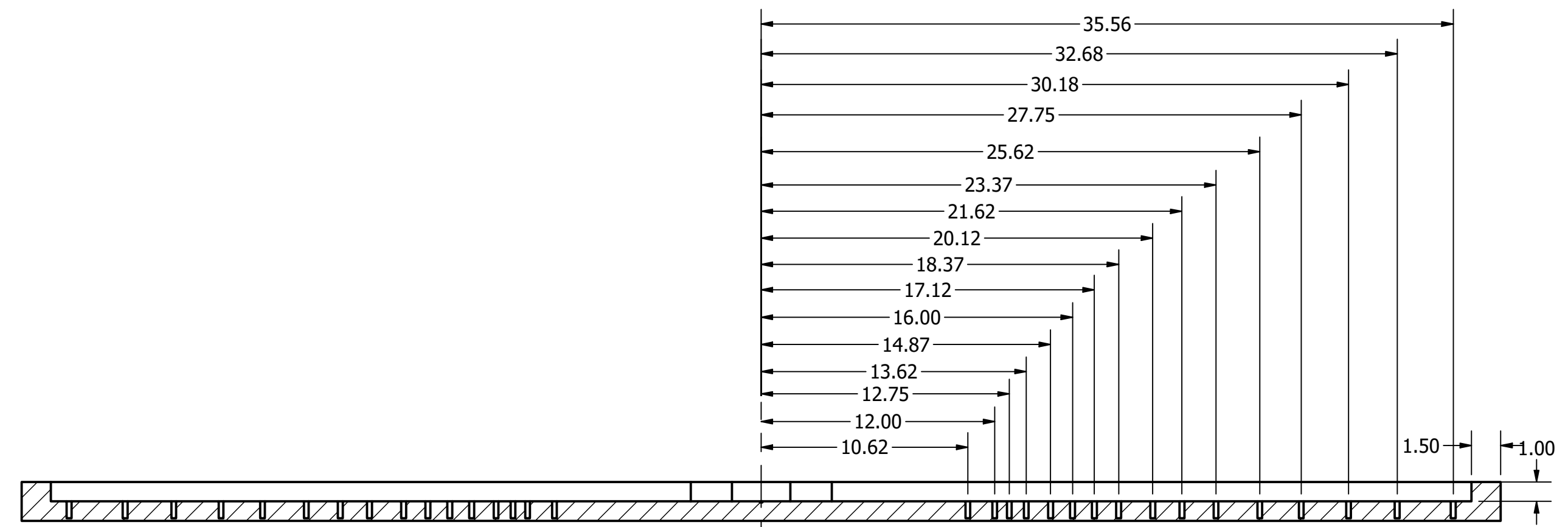
PARTS LIST			
ITEM	QTY	PART NUMBER	DESCRIPTION
1	1	2 INCH THICK ROUND PLATE	ALMUNIMUM 6061 T6



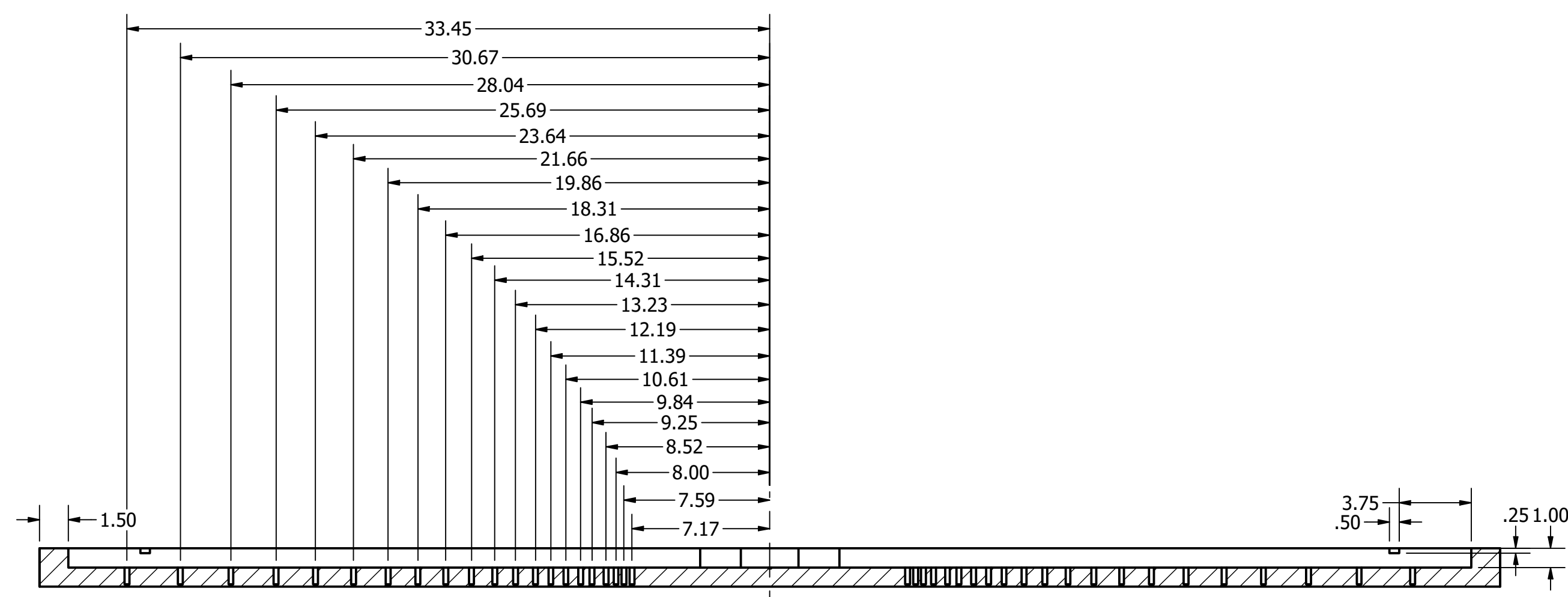
TOP VIEW
SCALE 1 / 11



BOTTOM VIEW
SCALE 1 / 11



SECTION A-A
SCALE 1 / 6



SECTION B-B
SCALE 1 / 6

DRAWN Parmeet Gill	25/11/2025	UNIVERSITY OF MANITOBA		
CHECKED		TITLE		
QA		TABLE TOP		
MFG		SIZE	DWG NO	REV
APPROVED		D		
		SCALE	1 / 11	SHEET 1 OF 1